

THIS DRAWING IS UNPUBLISHED. RELEASED FOR PUBLICATION
 © COPYRIGHT - BY TYCO ELECTRONICS CORPORATION. ALL RIGHTS RESERVED.

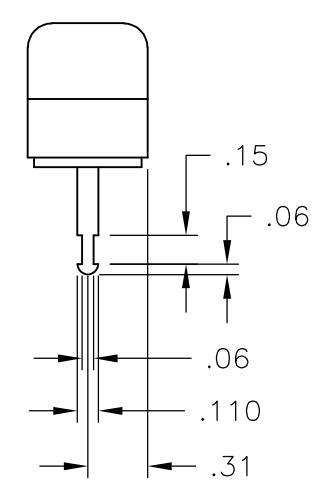
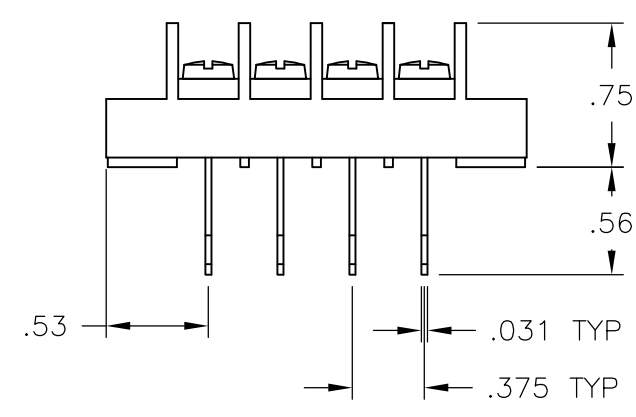
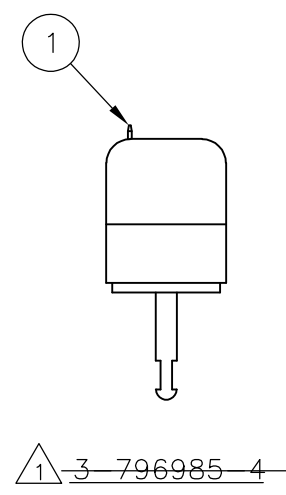
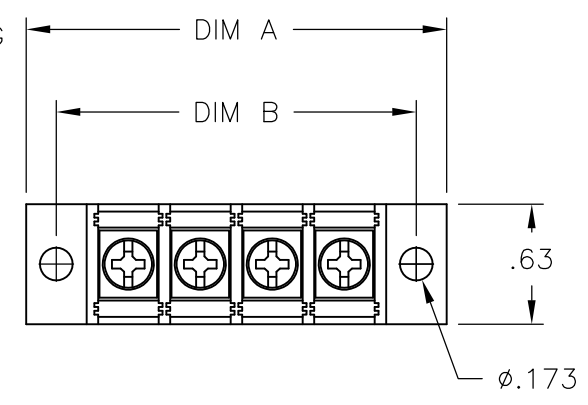
LOC	DIST	REVISIONS					
FT	0	P	LTR	DESCRIPTION	DATE	DWN	APVD
			A2	REVISED PER ECO-10-013614	13OCT10	HMR	CR

MATERIAL:
 HOUSING: THERMOPLASTIC, UL94V-0, BLACK.
 TERMINALS: BRIGHT TIN OVER COPPER ALLOY.
 SCREWS: 6-32, STEEL, ZINC PLATING W/ CLR CHROMATE.

ELECTRICAL:
 CURRENT RATING: 20A.
 OPERATING VOLTAGE: 300V.
 WIRE RANGE: 12-22 AWG.

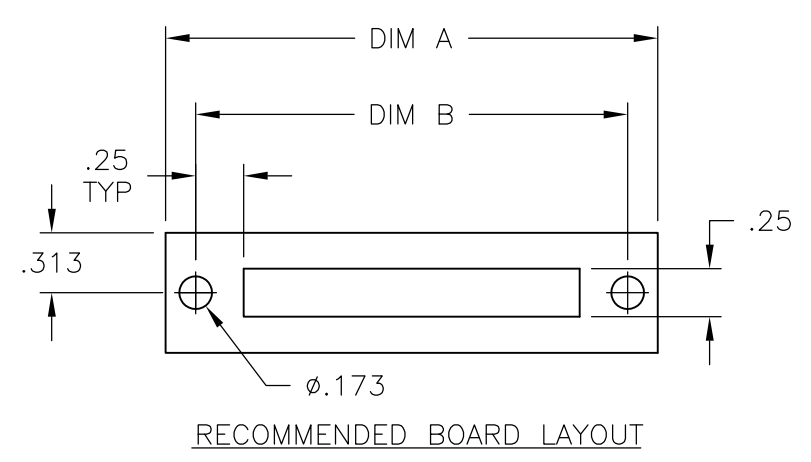
ENVIRONMENTAL:
 OPERATING TEMP.: 105°C MAX.

1 OBSOLETE PARTS: OBSOLETE CIS STREAMLINING PER D.RENAUD/D.SINISI



SEE FIGURE

-	9.000	9.314	23	JC6-T207-23	2-1546701-8				
-	8.625	8.939	22	JC6-T207-22	2-1546701-7				
-	8.250	8.564	21	JC6-T207-21	2-1546701-6				
-	7.875	8.189	20	JC6-T207-20	2-1546701-5				
-	7.500	7.814	19	JC6-T207-19	2-1546701-4				
-	7.125	7.439	18	JC6-T207-18	2-1546701-3				
-	6.750	7.064	17	JC6-T207-17	2-1546701-2				
-	6.375	6.689	16	JC6-T207-16	2-1546701-0				
-	6.000	6.314	15	JC6-T207-15	1-1546701-9				
-	5.625	5.939	14	JC6-T207-14	1-1546701-8				
-	5.250	5.564	13	JC6-T207-13	1-1546701-7				
-	4.875	5.189	12	JC6-T207-12	1-1546701-6				
-	4.500	4.814	11	JC6-T207-11	1-1546701-5				
-	4.125	4.439	10	JC6-T207-10	8-1437665-3				
-	3.750	4.064	9	JC6-T207-09	1-1546701-4				
-	3.375	3.689	8	JC6-T207-08	8-1437665-2				
-	3.000	3.314	7	JC6-T207-07	1-1546701-3				
-	2.625	2.939	6	JC6-T207-06	796985-2				
5	2.250	2.564	5	JC6-T207-05-148	1-3-796985-4				
-	2.250	2.564	5	JC6-T207-05	8-1437665-1				
-	1.875	2.189	4	JC6-T207-04	8-1437665-0				
-	1.500	1.814	3	JC6-T207-03	7-1437665-9				
-	1.125	1.439	2	JC6-T207-02	7-1437665-8				
.250 QC TAB 90° SGL SIDED									
1	DIM B	DIM A	NO OF POS	CATALOG NUMBER	PART NUMBER				



THIS DRAWING IS A CONTROLLED DOCUMENT.

DIMENSIONS: INCHES	TOLERANCES UNLESS OTHERWISE SPECIFIED:	DWN S SCHLEGEL 10/24/06	Tyco Electronics Corporation Harrisburg, PA 17105-3608
		CHK S YODER 10/24/06	
		APVD S YODER 10/24/06	NAME
		PRODUCT SPEC	JC6-T207-XX ASSEMBLY
		APPLICATION SPEC	SIZE CAGE CODE DRAWING NO RESTRICTED TO
MATERIAL	FINISH	WEIGHT	A3 00779 C-7-1437665-8
		CUSTOMER DRAWING	SCALE NTS SHEET 1 OF 1 REV A2